

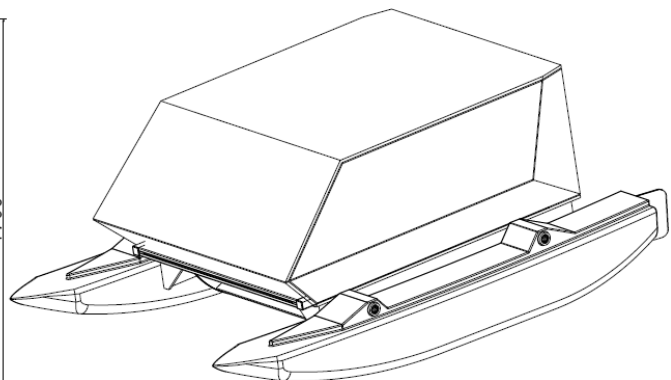
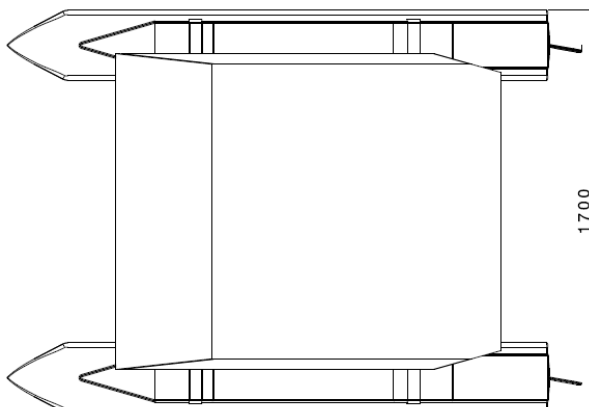
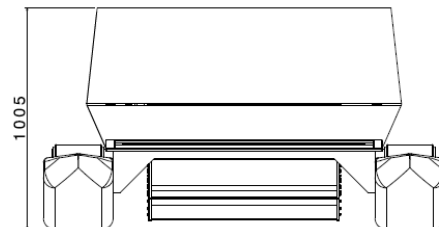
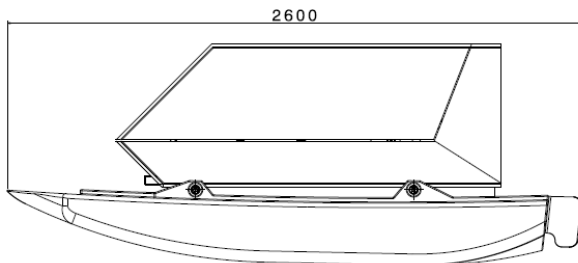


**Green Fields**

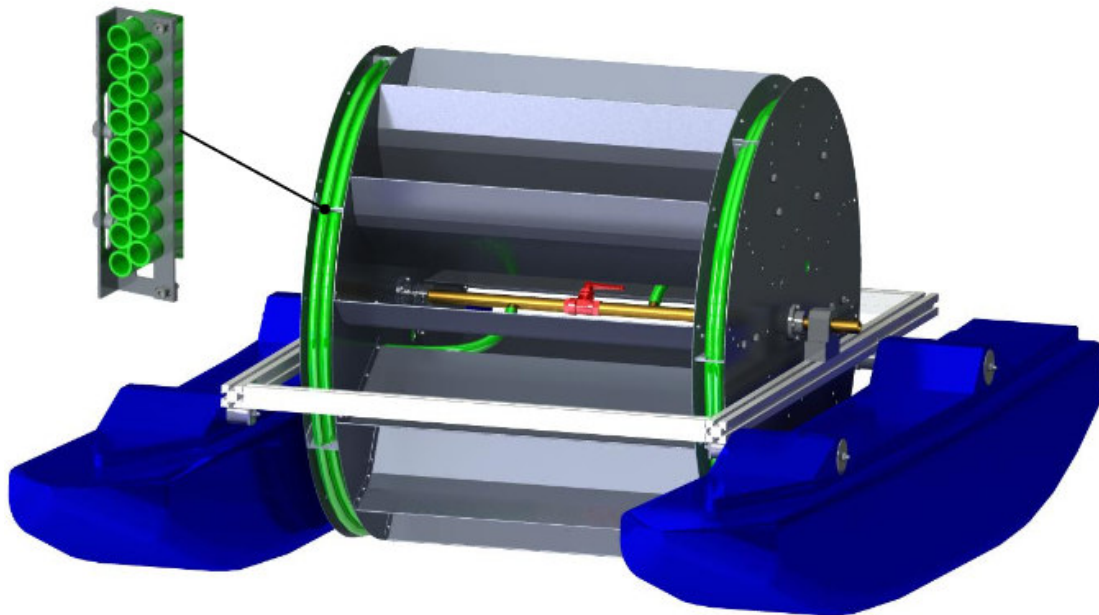
## Technical Data Sheet

The **Green Fields** is a compact plant for field irrigation from free-flowing waters. Possible applications arise from the self-sufficiency of the system, since neither electricity nor power generators are necessary. The type of water pumping is very suitable in this form for sediment-containing water. Green Fields does not require valves, pistons and membranes. This leads to minimized friction losses and thus a long service life of the system.

<b>Length</b>	2,60 m
<b>Widthe</b>	1,70 m
<b>Hight</b>	1,05 m
<b>Wieght</b>	approx. 200 kg
<b>Output</b>	approx. 16.000 l/d (at flow rate of 1 m/sec.)
<b>Delivery head</b>	16 m



## Construction



## Required information for the design of the system

- 🔵 **Need:** How much water is needed?
- 🔵 **Information about the river section:** What is the flow rate of the river section? (at least 0,8 m/sec. required)  
What is the width of the river section? Is the river used by shipping? Are there any legal restrictions?
- 🔵 **Water and Infrastructure:** How high and how far should the water be pumped? Is flotsam present in the river?  
Is there a risk of flooding and are there any information about the highest water level measured in the past? How should the plant be fixed on the bank or in the riverbed?

Are you interested in our products and services? Contact us!

**Martina Findling**  
Managing Director Marketing and Sales  
[martina.findling@inflotec.com](mailto:martina.findling@inflotec.com)

This project is supported by



EUROPÄISCHE UNION  
**ESF**  
Europäischer  
Sozialfonds

